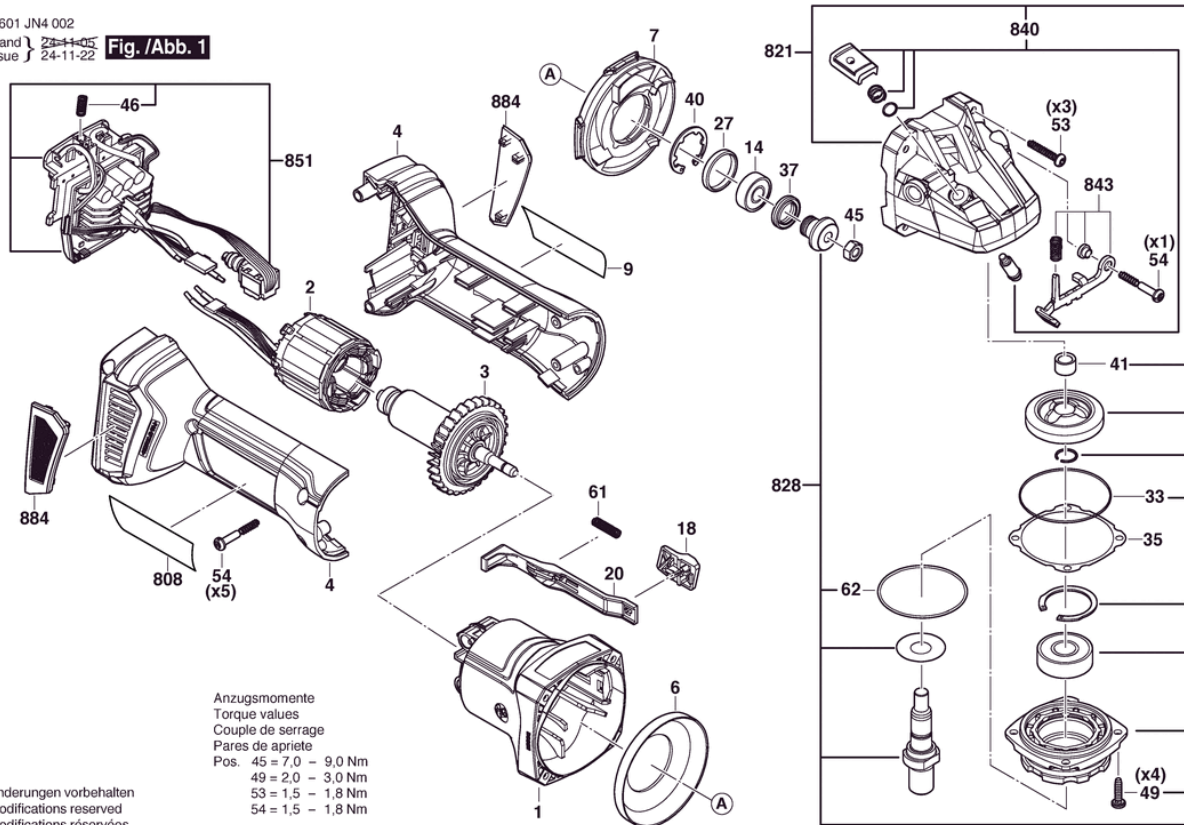


Illustration - Type - E

3 601 JN4 002
 Stand 22-11-05
 Issue 24-11-22
Fig. /Abb. 1



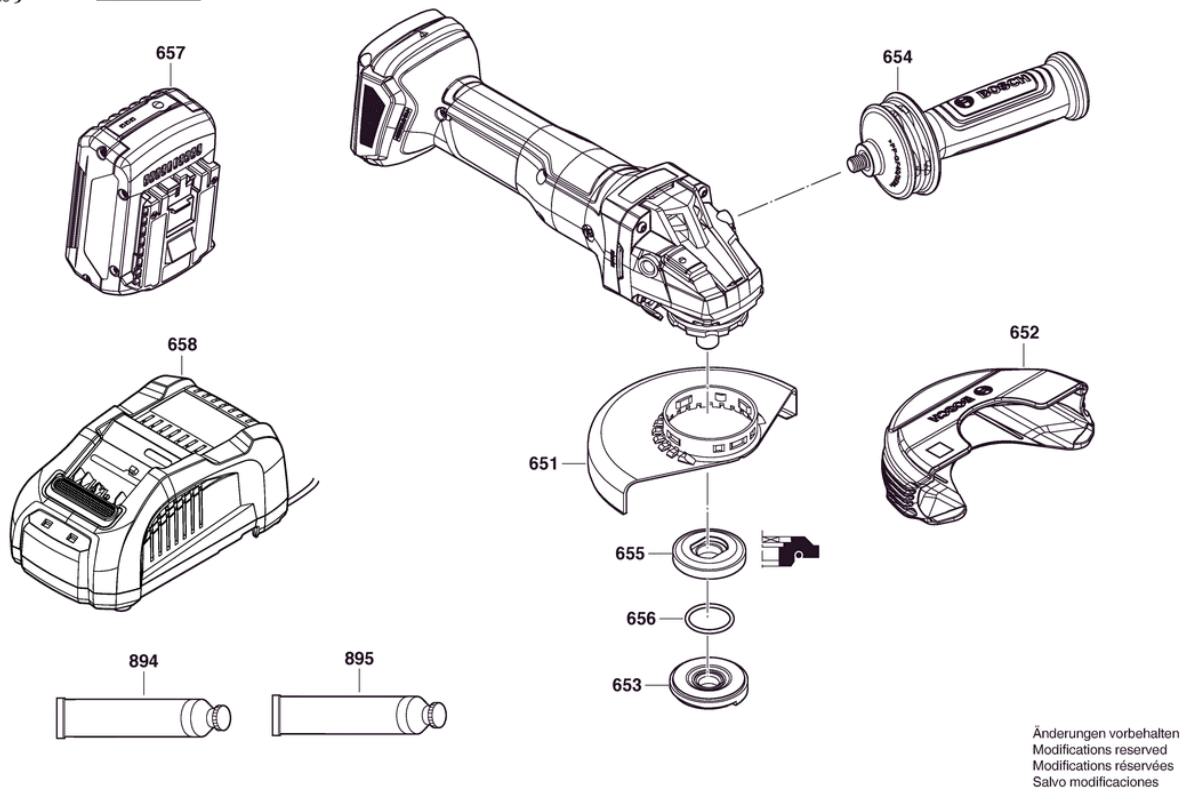
Anzugsmomente
 Torque values
 Couple de serrage
 Pares de apriete
 Pos. 45 = 7,0 - 9,0 Nm
 49 = 2,0 - 3,0 Nm
 53 = 1,5 - 1,8 Nm
 54 = 1,5 - 1,8 Nm

Änderungen vorbehalten
 Modifications reserved
 Modifications réservées
 Salvo modificaciones

Illustration - Type - E

3 601 JN4 002
Stand } 24-10-30
Issue }

Fig. /Abb. 2



Spare parts list

Item	Part Number	Description	Illustration
1	1 619 PS2 055	Motor Housing	1
2	1 619 PS2 056	Stator	1
3	1 619 PS2 057	Rotor	1
4	1 619 PS2 058	Handle	1
6	1 619 PS2 060	Air-Deflector Ring	1
7	1 619 P16 508	Air Distributor	1
9	1 619 PS2 070	Manufacturer's nameplate	1
14	1 619 P00 455	Ball Bearing	1
18	1 600 A01 6PW	Switch Handle	1
20	1 619 PS2 072	Adjusting Slide	1
27	1 600 206 025	Rubber Ring	1
33	1 619 P14 427	O-Ring	1
35	1 600 136 014	Shim 0,2 MM THICK	1
37	1 600 A00 P17	Holder	1
40	1 600 119 011	Retaining clip	1
41	1 600 200 029	Plain bearing	1
45	2 915 011 007	Hex Nut DIN 934-M6-8-A	1
46	1 609 280 477	Compression Spring	1
49	2 914 491 410	Thread-forming tap. Screw M4X16	1
53	1 619 P01 066	Torx Oval-Head Screw 4X25	1
54	1 603 414 026	Torx Oval-Head Screw 4X30	1
61	1 619 P11 487	Compression Spring	1
62	3 600 210 109	O-Ring 47,0X1,5 MM	1
808	1 619 PS2 068	Nameplate	1
821	1 619 PS1 123	Gear Housing	1
828	1 619 PS2 075	Bearing Flange	1
840	1 619 P17 077	Push Button	1
843	1 607 000 742	Catch Lever	1
851	1 619 PS2 076	Electronics Module	1
884	1 619 PS1 128	Filter	1
651	1 600 A01 2JH	Protective Cover	2
653	1 619 P14 737	Round Nut With 2 Holes	2
654	1 602 025 0A0	Auxiliary Handle	2
655	1 619 P12 159	Clamping-Flange Ø22,3XØ42 MM	2
657	2 607 337 085	Battery Pack	2

Spare parts list

Item	Part Number	Description		Illustration
658	2 607 225 921	Charger	EU GAL 1880 CV 230/14,4-18V	2
894	1 615 430 020	Grease Tube	225 ML	2
895	1 605 430 003	Grease Tube	225 ML	2